

Cleaning & Maintenance

If water and mild soap is used on a daily basis, cleaning with detergents is not required.

Always spray detergents on a cloth and not directly on the product, and rinse the surface thoroughly with water afterwards. Residues from basic detergents that are not washed off with water may cause damage to the surface. Do not use detergents containing strong acids or chemicals such as iodine, chlorine, fluorine, bromine and hydrogen peroxides. These chemicals can cause damage to the protective layer of the product.

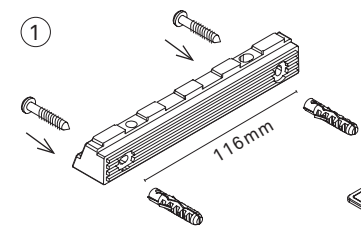
For maintenance we recommend using a gentle care product for stainless steel. Always rub brushed steel in the direction of the brush lines.

www.unidrain.com/reframe

MOUNTING INSTRUCTIONS

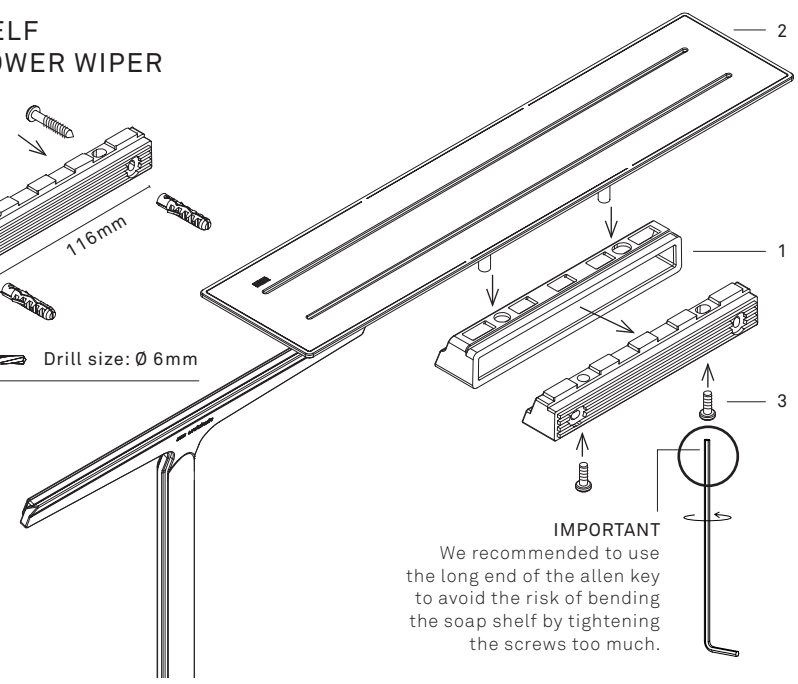
 RE | FRAME
collection by unidrain

SOAP SHELF WITH SHOWER WIPER



Drill size: Ø 6mm

②



IMPORTANT
We recommended to use the long end of the allen key to avoid the risk of bending the soap shelf by tightening the screws too much.

